

ROUGHNESS TESTER CODE ISR-C002

BLUETOOTH

DATA
OUTPUT

CAN BE OPERATED BY
MOBILE PHONES OR COMPUTERS



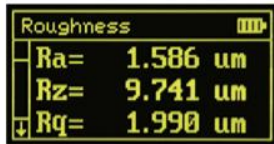
software flash disk
(included)

- Roughness tester can be operated by mobile phones (only Android system) or computers
- Data can be sent to Excel by connecting to computers via bluetooth or SPC cable
- Support bluetooth printer
- 21 roughness parameters
- Display roughness value, profile and curve
- Memory of maximum 100 results
- Automatic power off

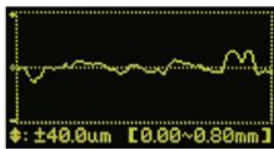
bluetooth printer (optional)



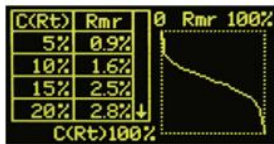
screen display



measurement result



roughness profile



Rmr analysis

probe cover (included)



put the small workpieces
directly under the
probe for measurement

adjustable stand (included)



operate roughness tester by mobile phones



connect to mobile phones via bluetooth
(only Android system),
display roughness values, profile and curve

light duty test stand (optional)



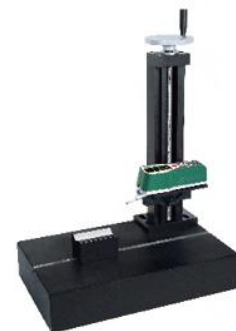
the maximum workpiece
height is 220mm

operate roughness tester by computers



connect to computers via USB cable (software is
included), display roughness values, profile and curve

heavy duty test stand (optional)



the maximum workpiece
height is 310mm

data can be sent to Excel by connecting to computer via bluetooth or SPC cable

via bluetooth

receiver
(optional)



SPC cable (optional)



via SPC cable

receiver (optional)



SPECIFICATION

Parameters	Ra, Rz, Rq, Rv, Rp, RS, R3z, R3y, Rt, Rz(JIS), Rk, Rku, Rsm, Rpc, Rpk, Rvk, Rsk, Mr1, Mr2, Ry(JIS), Rmax	
Range	320µm (-160µm~160µm)	
Accuracy	±10%	
Resolution (Ra)	0.001µm	
Standard Probe (ISR-C002-PROBE)	type	inductive
	stylus radius/angle	5µm/90°
	stylus material	diamond
Measuring force	4mN	
Measuring unit	µm/µin	
Cut off	0.25/0.8/2.5mm	
Number cut-off	1 to 5	
Moving speed	0.5mm/s, 1mm/s	
Memory	100 measurement results	
Output	bluetooth and USB	
Power	built-in rechargeable battery	
Dimension (W×D×H)	141×55×40mm	
Weight	400g	

STANDARD DELIVERY

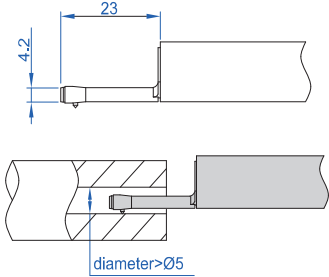
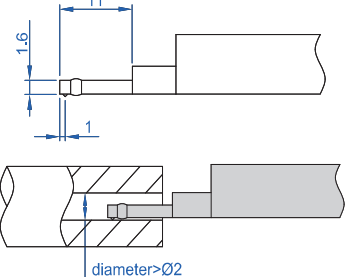
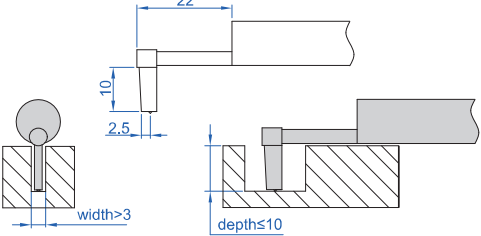
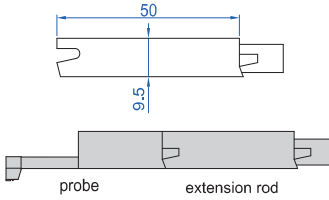
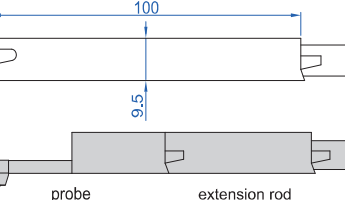
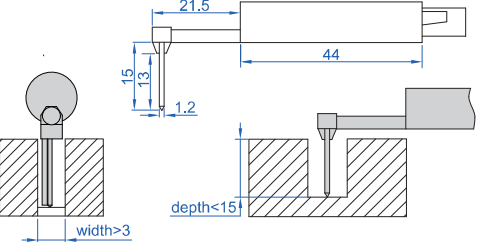
Main unit	1 pc
Standard probe	1 pc
Calibration block and support	1 pc of each
Adjustable stand	1 pc
Probe cover	1 pc
Software and USB cable	1 pc
AC/DC adapter	1 pc

OPTIONAL ACCESSORY

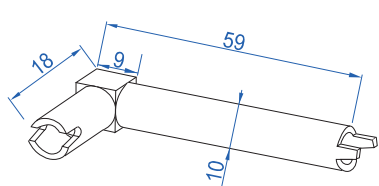
Tiny hole probe	ISR-C002-SBP
Deep groove probe	ISR-C002-DGP
Deep groove probe	ISR-C002-DGP1
Extension rod	ISR-C002-ER
Extension rod	ISR-C002-ER100
Transverse rod	ISR-C002-TR
Light duty test stand	ISR-C002-STAND1
Heavy duty test stand	ISR-C002-STAND
Bluetooth printer	ISR-C002-PRINTER
Receiver	ISR-C300-RECEIVER
SPC cable	ISR-C300-SPC

optional probes

unit: mm

<p>standard probe, 5µm/90° (included), code ISR-C002-PROBE</p> 	<p>tiny hole probe, 5µm/90° (optional), code ISR-C002-SBP</p> 	<p>deep groove probe, 5µm/90° (optional), code ISR-C002-DGP</p> 
<p>extension rod (optional), code ISR-C002-ER</p> 	<p>extension rod (optional), code ISR-C002-ER100</p> 	<p>deep groove probe, 5µm/90° (optional), code ISR-C002-DGP1</p>  <p>need to be delivered with roughness tester ISR-C002, recommended for use above Ra 0.1µm</p>

transverse rod (optional), code **ISR-C002-TR**



recommended for use with height calipers or stands