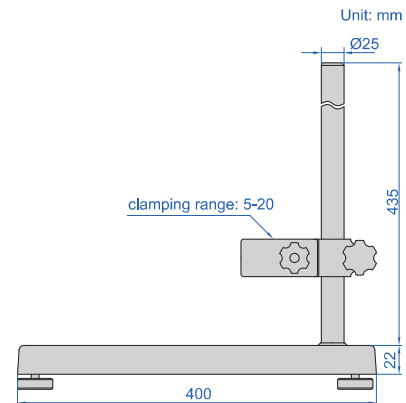


MICROMETER STAND



6302



Code

6302

- Suitable for 100-300mm outside micrometers (except 3675 series)