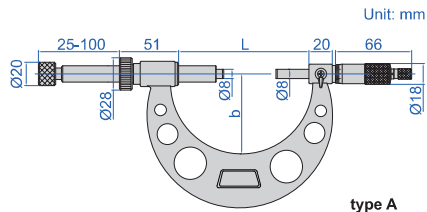


**ATTENTION: NOT SUITABLE FOR 0.001MM DIAL INDICATORS**



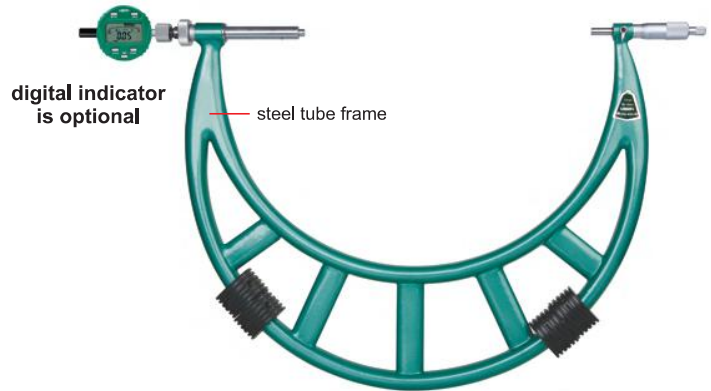
**3296-100A**



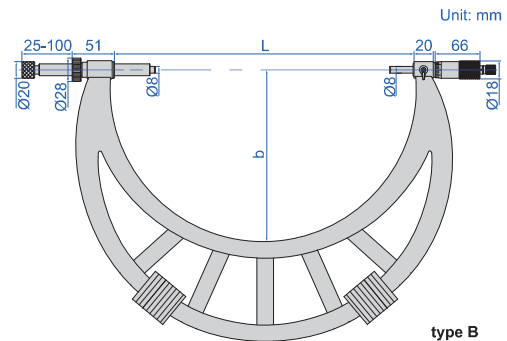
(mm)

Code	Range	Type	Accuracy	L	b
<b>3296-100A</b>	0-100mm	A	6µm	115	68
<b>3296-200A</b>	100-200mm	A	7µm	215	120
<b>3296-300A</b>	200-300mm	A	8µm	315	170
<b>3296-400A</b>	300-400mm	B	9µm	415	225
<b>3296-500A</b>	400-500mm	B	10µm	515	275
<b>3296-600A</b>	500-600mm	B	11µm	615	325
<b>3296-700A</b>	600-700mm	B	12µm	715	375
<b>3296-800A</b>	700-800mm	B	13µm	815	430
<b>3296-900A</b>	800-900mm	B	14µm	915	480
<b>3296-1000A</b>	900-1000mm	B	15µm	1015	530

## MICROMETERS WITH DIAL INDICATOR



**3296-400A**



- Meet DIN863-3
- Graduation 0.01mm
- Ratchet stop
- Carbide measuring faces
- Supplied with setting standards
- Optional accessory: dial indicators (graduation 0.01mm) digital indicators (resolution 0.01mm/0.0005")