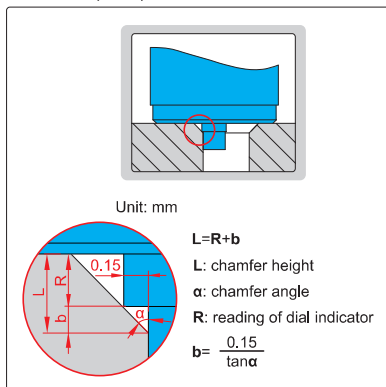


DIGITAL CHAMFER HEIGHT GAUGE

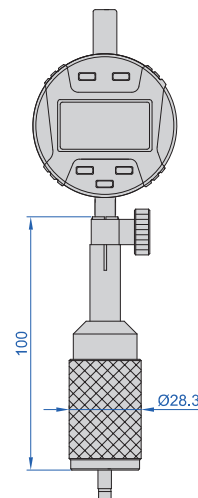
INSIZE PLUS

principle of measurement



2944-1

Unit: mm



- Measure outside or inside chamfer height
- Suitable for diameter of bores ≥ 6 mm, chamfer angle $\alpha \geq 30^\circ$
- Resolution: 0.01mm/0.0005"
- Setting gauge is included
- Optional accessory: wireless transmitter code **7315-50M** (receiver is needed)

setting gauge (included)



| Code | Range (L) | Accuracy |
|--------|----------------------|---------------|
| 2944-1 | 0.2-5mm/0.008-0.197" | ± 0.02 mm |