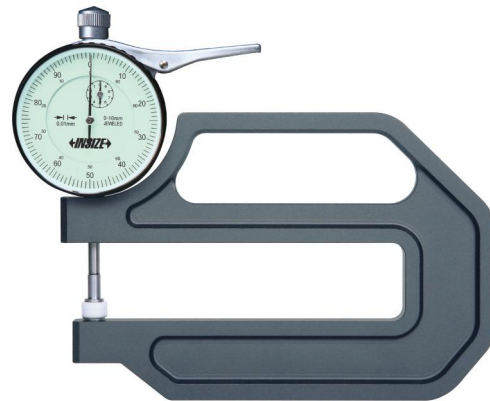
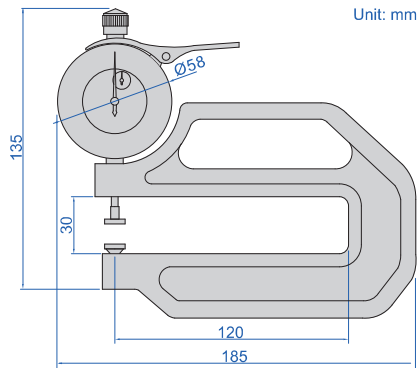
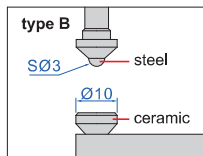
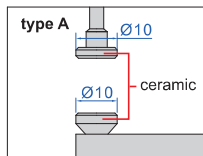


THICKNESS GAUGES



2365-10

Code	Range	Graduation	Accuracy	Type
2365-10	0-10mm	0.01mm	$\pm 0.02\text{mm}$	A
2365-20	0-20mm	0.01mm	$\pm 0.03\text{mm}$	A
2365-10B	0-10mm	0.01mm	$\pm 0.02\text{mm}$	B
2365-20B	0-20mm	0.01mm	$\pm 0.03\text{mm}$	B

measuring tips
and anvils can be
custom-made

