

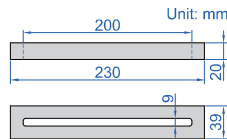
DIAL DEPTH GAUGES



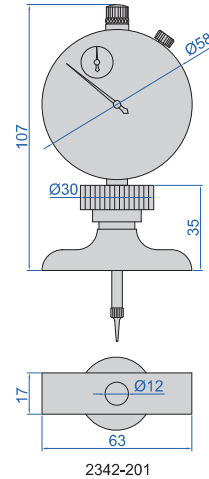
2342-202



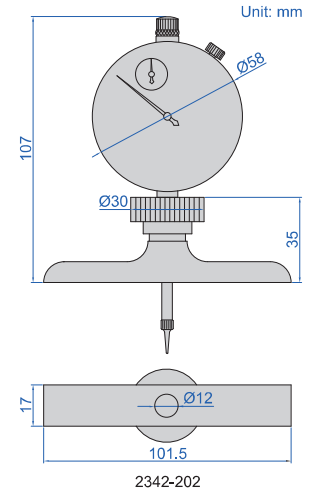
2141-10 (optional),
can be customized
according to workpieces



- Dial indicator graduation: 0.01mm
- Accuracy: $\pm 0,03$ mm
- Stainless steel base
- Extension rods: 25mm (1pc), 50mm (1pc), 75mm (1pc), 100mm (2pcs)
- Supplied with pointed tip and ball tip
- Optional accessory: granite extension holder (code 2141-10)

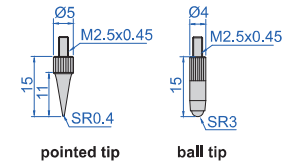


2342-201



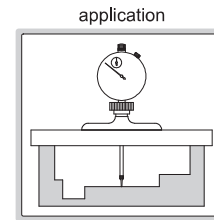
2342-202

Unit: mm

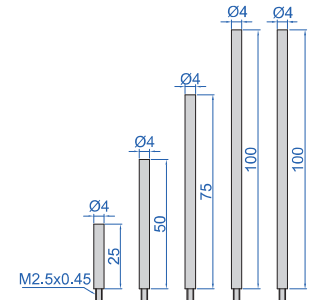


pointed tip

ball tip



application



extension rods

Code	Range	Dial indicator stroke	Base
2342-201	0-30mm	30mm	63×17mm
2342-202	0-300mm	30mm	101.5×17mm